

## Thule Load Stop 502

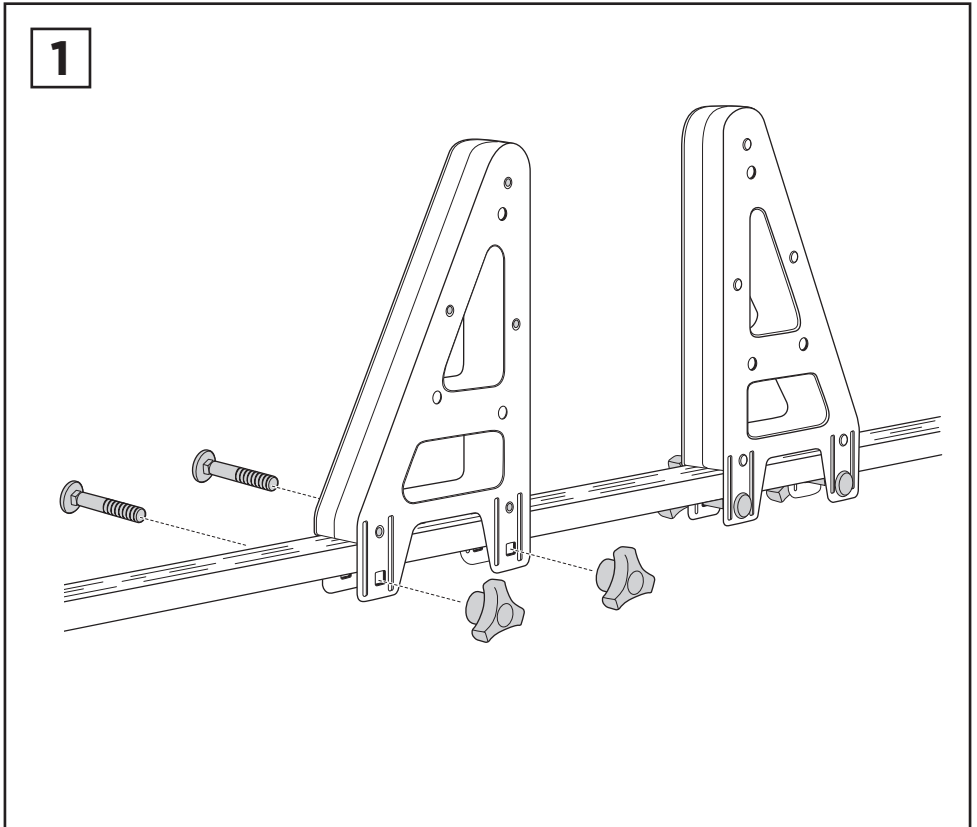
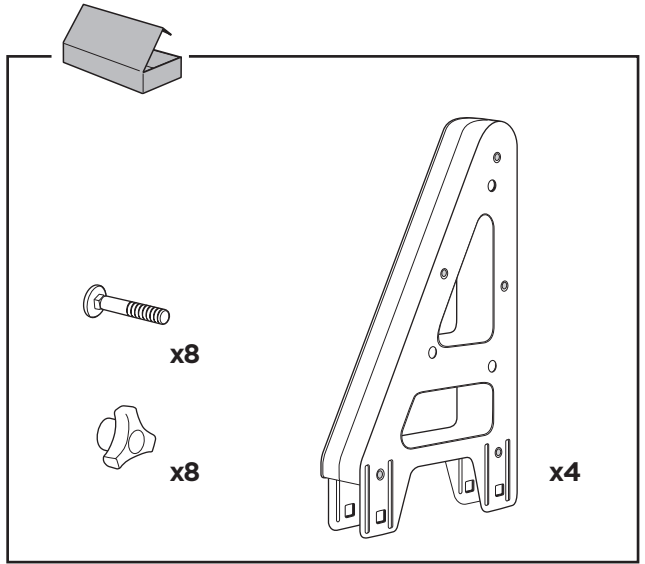
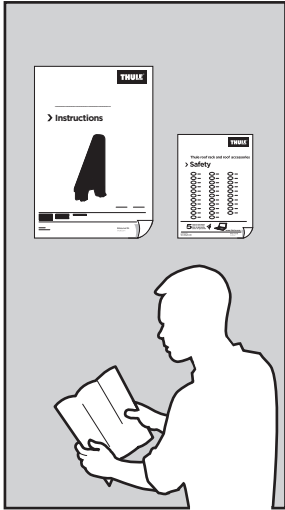
# ➤ Instructions



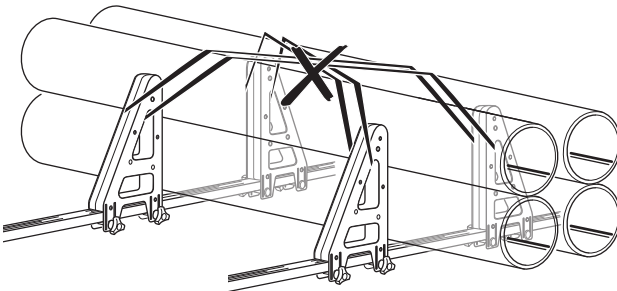
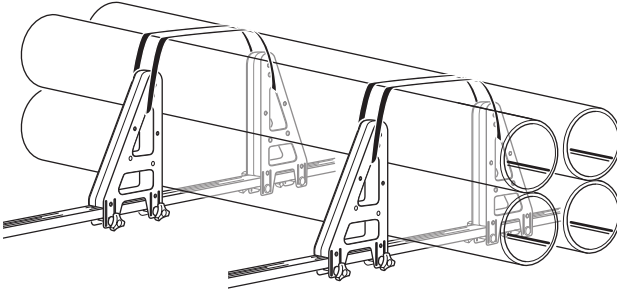
Bauart geprüft  
Sicherheit  
Regelmäßige  
Produktions-  
überwachung  
[www.tuv.com](http://www.tuv.com)  
to: 200200000


**502000**

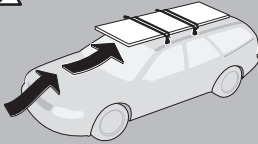
A5/4.20160531  
501-6220-05

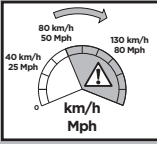


**i**




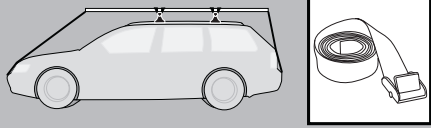






80 km/h  
50 Mph  
130 km/h  
80 Mph  
40 km/h  
25 Mph  
km/h  
Mph







Thule Sweden AB, Box 69, 330 33 Hillerstorp, SWEDEN

› PART OF THULE GROUP



info@thule.com

© Thule Group 2016. All rights reserved.



www.thule.com

501-6220-05